

**MINUTE ITEM**  
This Calendar Item No. C08 was approved as  
Minute Item No. 08 by the California State Lands  
Commission by a vote of 2 to 0 at its  
06/07/04 meeting.

**CALENDAR ITEM**  
**C08**

A 2,5

S 4,6

PRC 7675

06/07/04  
WP 7675.9  
R. Barham

**RECREATIONAL PIER LEASE**

**APPLICANTS:**

Darryl D. Williams  
Anna M. Williams

**AREA, LAND TYPE, AND LOCATION:**

Sovereign lands in the Sacramento River, near the city of Sacramento,  
Sacramento County.

**AUTHORIZED USE:**

Continued use and maintenance of an existing floating boat dock, gangway,  
stairway and cables.

**LEASE TERM:**

Ten years, beginning June 01, 2004.

**CONSIDERATION:**

No monetary consideration pursuant to Public Resources Code section 6503.5.

**SPECIFIC LEASE PROVISIONS:**

Liability insurance in an amount no less than \$300,000.

**OTHER PERTINENT INFORMATION:**

1. On February 12, 1997, the Commission authorized a Recreational Pier Lease with Stephen M. and Denise M. Launey. The upland property was subsequently deeded to Darryl D. and Anna M. Williams. Darryl D. and Anna M. Williams are now applying for a new Recreational Pier Lease. Applicants qualify for a Recreational Pier Lease because the applicants are natural persons who have improved the littoral land with, and use the upland for, a single-family dwelling.

CALENDAR ITEM NO. C08 (CONT'D)

2. Pursuant to the Commission's delegation of authority and the State CEQA Guidelines (Title 14, California Code of Regulations, section 15061), the staff has determined that this activity is exempt from the requirements of the CEQA as a categorically exempt project. The project is exempt under Class 1, Existing Facilities; Title 2, California Code of Regulations, section 2905(a)(2).

Authority: Public Resources Code section 21084 and Title 14, California Code of Regulations, section 15300 and Title 2, California Code of Regulations, section 2905.

3. This activity involves lands identified as possessing significant environmental values pursuant to Public Resources Code sections 6370, et seq. Based upon the staff's consultation with the persons nominating such lands and through the CEQA review process, it is the staff's opinion that the project, as proposed, is consistent with its use classification.

**EXHIBIT:**

- A. Site and Location Map

**PERMIT STREAMLINING ACT DEADLINE:**

N/A

**RECOMMENDED ACTION:**

IT IS RECOMMENDED THAT THE COMMISSION:

**CEQA FINDING:**

FIND THAT THE ACTIVITY IS EXEMPT FROM THE REQUIREMENTS OF THE CEQA PURSUANT TO TITLE 14, CALIFORNIA CODE OF REGULATIONS, SECTION 15061 AS A CATEGORICALLY EXEMPT PROJECT, CLASS 1, EXISTING FACILITIES; TITLE 2, CALIFORNIA CODE OF REGULATIONS, SECTION 2905(a)(2).

**SIGNIFICANT LANDS INVENTORY FINDING:**

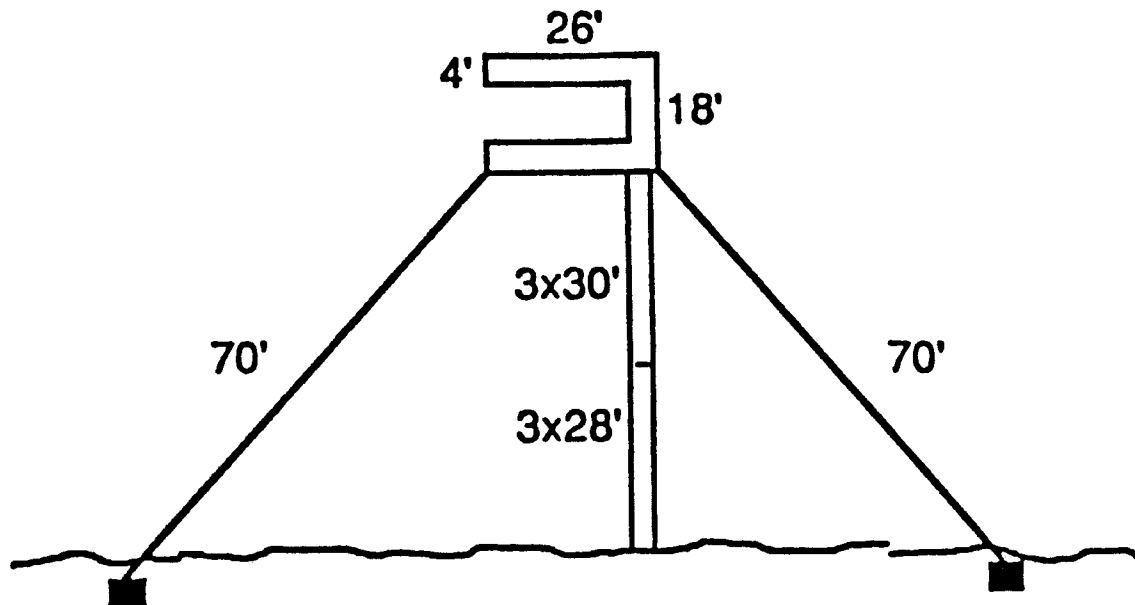
FIND THAT THIS ACTIVITY IS CONSISTENT WITH THE USE CLASSIFICATION DESIGNATED BY THE COMMISSION FOR LAND PURSUANT TO PUBLIC RESOURCES CODE SECTIONS 6370, ET SEQ.

CALENDAR ITEM NO. C08 (CONT'D)

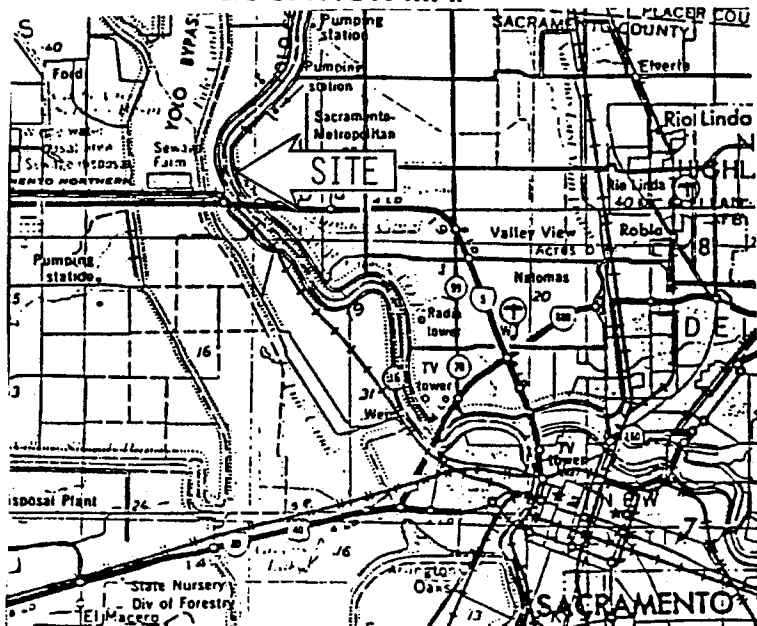
**AUTHORIZATION:**

AUTHORIZE ISSUANCE TO DARRYL D. AND ANNA M. WILLIAMS OF A RECREATIONAL PIER LEASE, BEGINNING JUNE 01, 2004, FOR A TERM OF TEN YEARS, FOR THE CONTINUED USE AND MAINTENANCE OF A FLOATING BOAT DOCK, GANGWAY, STAIRWAY AND CABLES ON THE LAND SHOWN ON EXHIBIT A ATTACHED AND BY THIS REFERENCE MADE A PART HEREOF; NO MONETARY CONSIDERATION PURSUANT TO PUBLIC RESOURCES CODE 6503.5; LIABILITY INSURANCE IN THE AMOUNT OF NO LESS THAN \$300,000.

**SITE MAP**



**LOCATION MAP**



**CALIFORNIA MAP**



**Exhibit A**  
**WP 7675.9**

Darryl & Anna Williams Sacramento County

This exhibit is solely for purposes of generally defining the lease premises, is based on unverified information provided by lessee or other parties, and is not intended to be, nor shall it be construed as, a waiver or limitation of any state interest in the subject or any other property

000031

CALENDAR PAGE

000749

MINUTE PAGE

RWB 03/15/2004