

MINUTE ITEM

This Calendar Item No. C32 was approved as
Minute Item No. 32 by the California State Lands
Commission by a vote of 3 to 0 at its
12-3-99 meeting.

**CALENDAR ITEM
C32**

A 4
S 1

12/03/99
PRC 7050.9 WP 7050.9
J. Ludlow

RECREATIONAL PIER LEASE

APPLICANTS:

Richard and Pamela Lee
P. O. Box 5362
Incline Village, NV 89450

Charles H. and Anne C. Mahnken, Trustees under
the Mahnken Trust Agreement Dated April 6, 1995
2614 Summit Drive
Burlingame, CA 94010

AREA, LAND TYPE, AND LOCATION:

Sovereign lands in Lake Tahoe, near Brockway Vista, Placer County.

AUTHORIZED USE:

Continued use and maintenance of an existing joint use pier and retention of four
existing mooring buoys, as shown on the attached Exhibit A.

LEASE TERM:

Ten years, beginning August 1, 1999.

CONSIDERATION:

No monetary consideration pursuant to Public Resources Code section 6503.5.

SPECIFIC LEASE PROVISIONS:

Insurance:

Liability insurance with coverage of no less than \$300,000.

CALENDAR PAGE	000158
MINUTE PAGE	0006835

CALENDAR ITEM NO. **C32**(CONT'D)

Other:

This lease is conditioned on Lessee obtaining authorization from the Tahoe Regional Planning Agency (TRPA) for the mooring buoys within two years from the effective date of the authorization of the buoys by the Commission.

OTHER PERTINENT INFORMATION:

1. **Pier:** Pursuant to the Commission's delegation of authority and the State CEQA Guidelines (Title 14, California Code of Regulations, section 15061), the staff has determined that this activity is exempt from the requirements of the CEQA as a categorically exempt project. The project is exempt under Class 1, Existing Facilities; Title 2, California Code of Regulations, section 2905 (a)(2).

Authority: Public Resources Code section 21084 and Title 14, California Code of Regulations, section 15300 and Title 2, California Code of Regulations, section 2905.

Buoys: Pursuant to the Commission's delegation of authority and the State CEQA Guidelines (Title 14, California Code of Regulations, section 15061), the staff has determined that this activity is exempt from the requirements of the CEQA as a categorically exempt project. The project is exempt under Class 3, New Construction of Small Structures; Title 2, California Code of Regulations, section 2905 (c)(3).

Authority: Public Resources Code section 21084 and Title 14, California Code of Regulations, section 15300 and Title 2, California Code of Regulations, section 2905.

2. This activity involves lands identified as possessing significant environmental values pursuant to Public Resources Code sections 6370, et seq. Based upon the staff's consultation with the persons nominating such lands and through the CEQA review process, it is the staff's opinion that the project, as proposed, is consistent with its use classification.

FURTHER APPROVALS REQUIRED:

Buoys: Tahoe Regional Planning Agency.

CALENDAR ITEM NO. **C32**(CONT'D)

EXHIBIT:

- A. Location and site map

PERMIT STREAMLINING ACT DEADLINE:

N/A

RECOMMENDED ACTION:

IT IS RECOMMENDED THAT THE COMMISSION:

CEQA FINDING:

PIER: FIND THAT THE ACTIVITY IS EXEMPT FROM THE REQUIREMENTS OF THE CEQA PURSUANT TO TITLE 14, CALIFORNIA CODE OF REGULATIONS, SECTION 15061 AS A CATEGORICALLY EXEMPT PROJECT, CLASS 1, EXISTING FACILITIES; TITLE 2, CALIFORNIA CODE OF REGULATIONS, SECTION 2905 (a)(2).

BUOYS: FIND THAT THE ACTIVITY IS EXEMPT FROM THE REQUIREMENTS OF THE CEQA PURSUANT TO TITLE 14, CALIFORNIA CODE OF REGULATIONS, SECTION 15061 AS A CATEGORICALLY EXEMPT PROJECT, CLASS 3, NEW CONSTRUCTION OF SMALL STRUCTURES; TITLE 2, CALIFORNIA CODE OF REGULATIONS, SECTION 2905 (c)(3).

SIGNIFICANT LANDS INVENTORY FINDING:

FIND THAT THIS ACTIVITY IS CONSISTENT WITH THE USE CLASSIFICATION DESIGNATED BY THE COMMISSION FOR THE LAND PURSUANT TO PUBLIC RESOURCES CODE SECTIONS 6370, ET SEQ.

CALENDAR ITEM NO. C32(CONT'D)

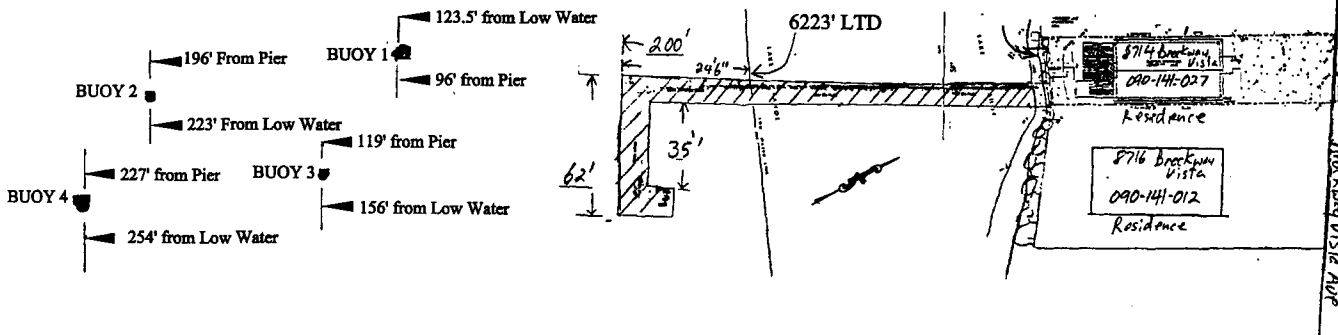
AUTHORIZATION:

AUTHORIZE ISSUANCE TO RICHARD LEE AND PAMELA LEE AND CHARLES H. MAHNKEN AND ANNE C. MAHNKEN, TRUSTEES UNDER THE MAHNKEN TRUST AGREEMENT DATED APRIL 6, 1995, OF A TEN-YEAR RECREATIONAL PIER LEASE, BEGINNING AUGUST 1, 1999, FOR CONTINUED USE AND MAINTENANCE OF AN EXISTING JOINT USE PIER AND RETENTION OF FOUR EXISTING MOORING BUOYS ON THE LAND SHOWN ON EXHIBIT A ATTACHED AND BY THIS REFERENCE MADE A PART HEREOF; NO MONETARY CONSIDERATION PURSUANT TO PUBLIC RESOURCES CODE SECTION 6503.5; LIABILITY INSURANCE WITH COVERAGE OF NO LESS THAN \$300,000.

NO SCALE

SITE MAP

PROPERTY DESCRIPTION
090-141-27
FRACTION OF LOT 37 E 38, BROCKWAY VISTA
8714 BROCKWAY VISTA AVENUE
KINGS BEACH, PLACER COUNTY, CALIFORNIA



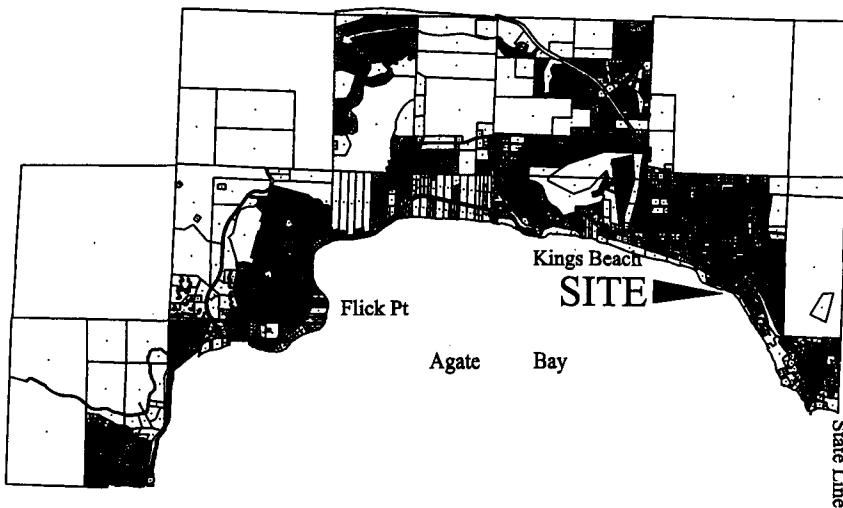
8714 and 8716 Brockway Vista

NO SCALE

LOCATION MAP

Lake
Tahoe

Exhibit A
PRC 7050
APN 090-141-027 & 012
Lake Tahoe
PLACER COUNTY



This Exhibit is solely for purposes of generally defining the lease premises, and is not intended to be, nor shall it be construed as, a waiver of limitation of any state interest in the subject or any other property.

CALENDAR PAGE 000162
MINUTE PAGE 0000839