

**MINUTE ITEM**

This Calendar Item No. ~~C63~~ was approved as  
Minute Item No. 63 by the California State Lands  
Commission by a vote of 3 to ~~0~~ at its  
6-7-98 meeting.

**CALENDAR ITEM  
C63**

A 6  
S 3

06/19/98  
W 25445  
J. Lam

**GENERAL LEASE - RECREATIONAL USE**

**APPLICANT:**

Lee Greenberg  
14 Lucky Drive  
Greenbrae, California 94904

**AREA, LAND TYPE, AND LOCATION:**

0.04 acres, more or less, of sovereign lands in Corte Madera Creek at 18 Lucky Drive, Greenbrae, Marin County.

**AUTHORIZED USE:**

Construction and maintenance of a ramp, floating dock and anti-flotsam floating boom as shown on attached Exhibit A.

**LEASE TERM:**

Ten years, beginning May 1, 1998.

**CONSIDERATION:**

\$291 per year; with the State reserving the right to fix a different rent periodically during the lease term, as provided in the lease.

**SPECIFIC LEASE PROVISIONS:**

Liability insurance: Combined single limit coverage of no less than \$300,000.

**OTHER PERTINENT INFORMATION:**

1. Applicant owns the uplands adjoining the lease premises.
2. Pursuant to the Commission's delegation of authority and the State CEQA Guidelines (Title 14, California Code of Regulations, section 15061), the staff has determined that this activity is exempt from the requirements of the CEQA as a categorically exempt project. The project is exempt under Class 3, New Construction of Small Structures; Title 2, California Code of Regulations, section 2905 (c)(1).

CALENDAR PAGE	314
MINUTE PAGE	003579

CALENDAR ITEM NO. C63 (CONT'D)

Authority: Public Resources Code section 21084 and Title 14, California Code of Regulations, section 15300 and Title 2, California Code of Regulations, section 2905.

3. This activity involves lands identified as possessing significant environmental values pursuant to Public Resources Code sections 6370, et seq. Based upon the staff's consultation with the persons nominating such lands and through the CEQA review process, it is the staff's opinion that the project, as proposed, is consistent with its use classification.

**APPROVALS OBTAINED:**

None

**FURTHER APPROVALS REQUIRED:**

California State Lands Commission, San Francisco Bay Conservation and Development Commission, county of Marin, United States Army Corps of Engineers, California Department of Fish and Game.

**EXHIBITS:**

- A. Site Map
- B. Location Map

**PERMIT STREAMLINING ACT DEADLINE:**

June 12, 1998

**RECOMMENDED ACTION:**

IT IS RECOMMENDED THAT THE COMMISSION:

**CEQA FINDING:**

FIND THAT THE ACTIVITY IS EXEMPT FROM THE REQUIREMENTS OF THE CEQA PURSUANT TO TITLE 14, CALIFORNIA CODE OF REGULATIONS, SECTION 15061 AS A CATEGORICALLY EXEMPT PROJECT, CLASS 3, NEW CONSTRUCTION OF SMALL STRUCTURES; TITLE 2, CALIFORNIA CODE OF REGULATIONS, SECTION 2905 (c) (1).

**SIGNIFICANT LANDS INVENTORY FINDING:**

FIND THAT THIS ACTIVITY IS CONSISTENT WITH THE USE CLASSIFICATION DESIGNATED BY THE COMMISSION FOR THE

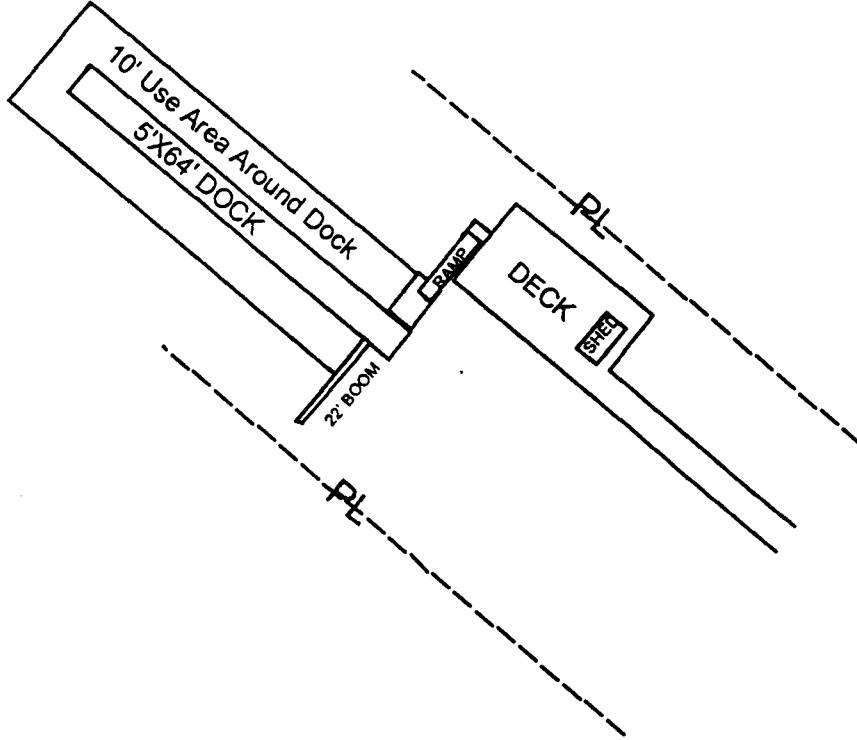
CALENDAR ITEM NO. C63 (CONT'D)

LAND PURSUANT TO PUBLIC RESOURCES CODE SECTIONS 6370,  
ET SEQ.

**AUTHORIZATION:**

AUTHORIZE ISSUANCE TO LEE GREENBERG OF A GENERAL LEASE  
- RECREATIONAL USE, BEGINNING MAY 1, 1998, FOR A TERM OF  
TEN YEARS, FOR CONSTRUCTION AND MAINTENANCE OF A RAMP,  
FLOATING DOCK AND ANTI-FLOTSAM FLOATING BOOM ON THE  
LAND SHOWN ON EXHIBIT A ATTACHED AND BY THIS REFERENCE  
MADE A PART HEREOF; ANNUAL RENT IN THE AMOUNT OF \$291,  
WITH THE STATE RESERVING THE RIGHT TO FIX A DIFFERENT  
RENT PERIODICALLY DURING THE LEASE TERM, AS PROVIDED IN  
THE LEASE; LIABILITY INSURANCE FOR COMBINED SINGLE LIMIT  
COVERAGE OF NO LESS THAN \$300,000.

CORTE MADERA CREEK



Cona Village - Recreational Boat Dock  
 18 Lucky Drive  
 Greenbrae CA, 94904

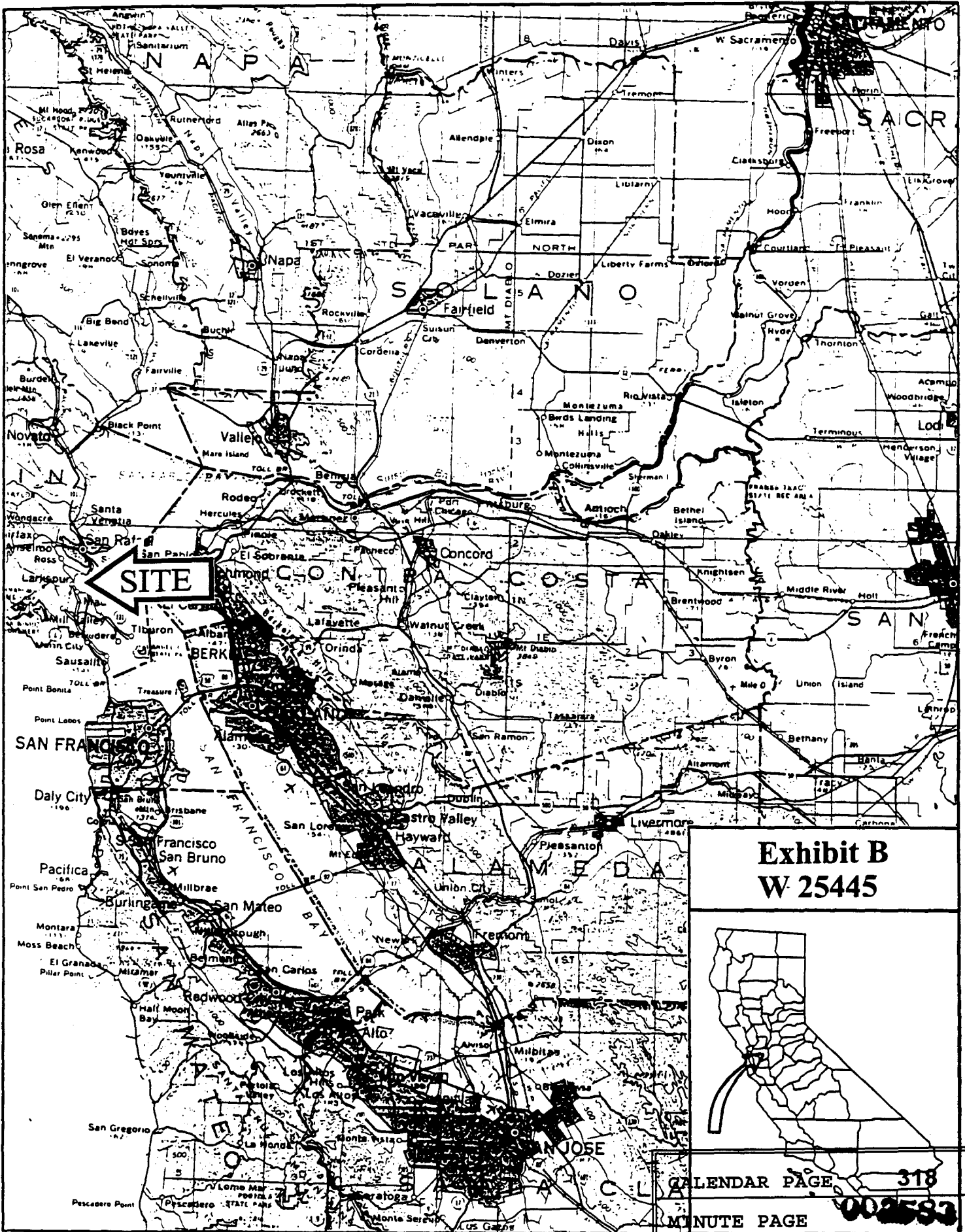


NO SCALE

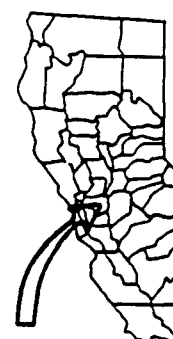
This Exhibit is solely for purposes of generally defining the lease premises, and is not intended to be, nor shall it be construed as, a waiver or limitation of any State interest in the subject or any other property.

**Exhibit A**  
 W 25445  
 Recreational Pier  
 Corte Madera Creek  
 MARIN COUNTY





**Exhibit B  
W 25445**



CALENDAR PAGE 318  
MINUTE PAGE 002593