

A 67
S 35

CALENDAR ITEM
C39

MINUTE ITEM
This Calendar Item No. C39
was approved as Minute Item
No. 39 by the State Land
Commission by a vote of 3
to 0 at its 3/8/94
meeting

RECREATIONAL PIER PERMIT

03/08/94
WP 5750
Maricle
PRC5750

PARTY: Kenneth T. Norris and Harlyne J. Norris
16652 Coral Cay Lane
Huntington Beach, California 92649

LOCATION: Tide and submerged land located in Huntington
Beach, vicinity of Huntington Harbour, Lot 54,
Tract 8040, APN 178-652-30, Orange County.

EXHIBITS: A. Site Map B. Location Map

AB 884: N/A

CEQA

FINDING: FIND THAT THE ACTIVITY IS EXEMPT FROM THE
REQUIREMENTS OF THE CEQA PURSUANT TO 14 CAL. CODE
REGS. 15061 AS A CATEGORICALLY EXEMPT PROJECT,
CLASS 1, EXISTING FACILITIES, 2 CAL. CODE
REGS. 2905(a)(2).

SIGNIFICANT LANDS
INVENTORY

FINDING: FIND THAT THIS ACTIVITY IS CONSISTENT WITH THE USE
CLASSIFICATION DESIGNATED FOR THE LAND PURSUANT TO
P.R.C. 6370, ET SEQ.

RECOMMENDED
ACTION:

IT IS RECOMMENDED THAT THE COMMISSION:

AUTHORIZE ISSUANCE TO KENNETH T. NORRIS AND HARLYNE
J. NORRIS OF A TEN - YEAR RECREATIONAL PIER PERMIT,
BEGINNING MARCH 8, 1994, NO MONETARY CONSIDERATION
FOR THE RECREATIONAL DOCK PURSUANT TO SECTION
6503.5 OF THE P.R.C. FOR THE CONTINUED USE AND
MAINTENANCE OF AN 8 FT. X 8 FT. PLATFORM AND 3 FT.
X 8 FT. GANGWAY ON THE LAND DESCRIBED AND DEPICTED
ON EXHIBIT "A" ATTACHED AND BY REFERENCE MADE A
PART HEREOF.

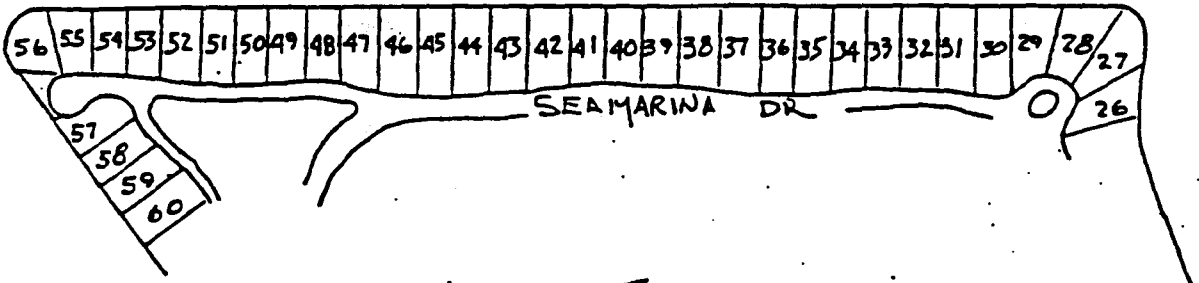
CALENDAR PAGE 274

MINUTE PAGE 383

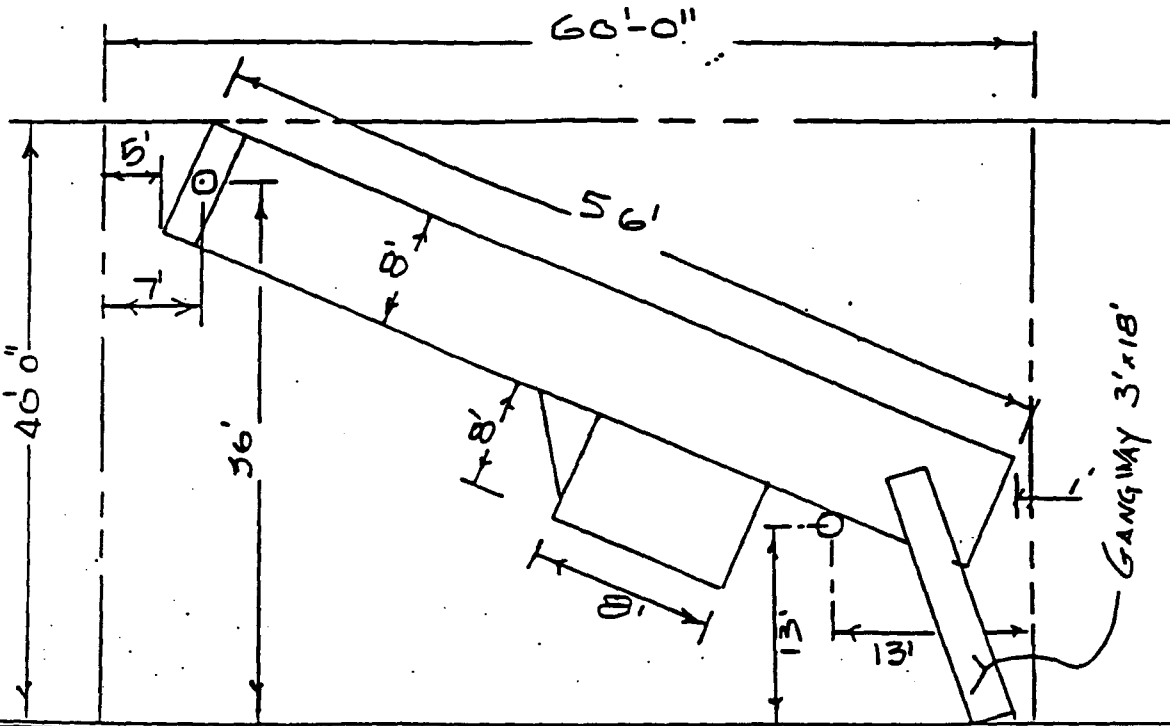
CORAL CAYS

HARBOR PERMIT

HUNTINGTON BEACH



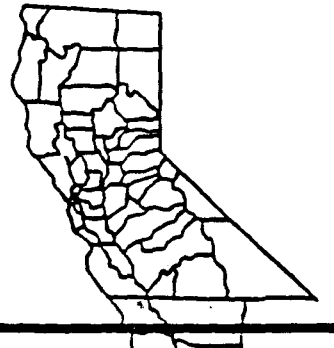
LOT 54 TR 8040



EXISTING BULKHEAD

LOT 54 TR 8040

EXHIBIT "A"
WP 5750



CALENDAR PAGE 275

MINUTE PAGE 384

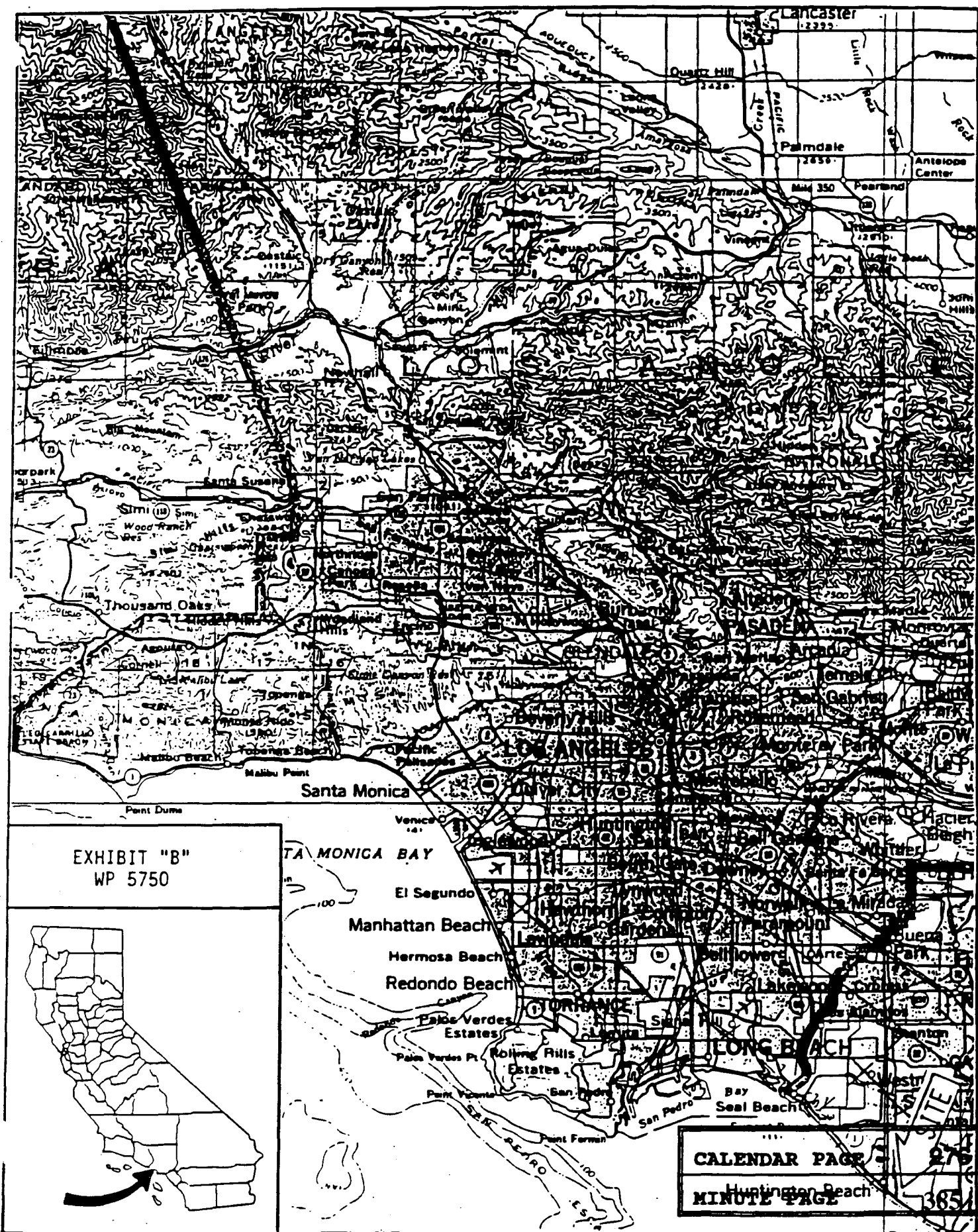


EXHIBIT "B"
WP 5750



CALENDAR PAGE 279
MINUTE PAGE 385