

MINUTE ITEM
This Calendar Item No. C10
was approved as Minute Item
No. C10 by the State Lands
Commission by a vote of 2
to 0 at its 9/27/90
meeting.

CALENDAR ITEM

A 7
S 1

C 1 0

09/27/90
PRC 6190
Gordon

TERMINATE GENERAL PERMIT - PUBLIC AGENCY USE PRC 6190
AND ISSUE GENERAL PERMIT - PUBLIC AGENCY USE

APPLICANT: The Regents of the University of California
University of California, Davis
Attn: Kim M. Bean
Office of the Vice Chancellor
Administration
Business and Finance Department
Davis, California 95616

AREA, TYPE LAND AND LOCATION:
Four 0.007-acre parcels of submerged land
located in Lake Tahoe with one parcel located
in El Dorado County and three parcels located
in Placer County.

LAND USE: Placement, operation, and maintenance of buoy
facilities utilized as atmospheric sampling
stations.

TERMS OF ORIGINAL PERMIT:

Initial period: Five (5) years beginning
July 13, 1987.

Special: 1. The permit is
conditioned on permittee's
conformance with the
Shorezone Ordinance of Tahoe
Regional Planning Agency.

2. The permit conforms to
the Lyon/Fogerty decision.

CALENDAR PAGE	136
MINUTE PAGE	2538

CONSIDERATION: The public benefit; with the State reserving the right at any time to set a monetary rental if the Commission finds such action to be in the State's best interest.

TERMS OF PROPOSED PERMIT:

Initial period: Five (5) years beginning October 1, 1990.

Special:

1 The permit is conditioned on permittee's conformance with the Tahoe Regional Planning Agency's Shorezone Ordinance.

2. The permit restricts any residential use of the facilities.

3. The permit conforms to the Lyon/Fogerty decision.

4. The permit is conditioned on the right of public access along the shorezone lakeward of the ordinary high water line.

5. The permit is conditioned on permittee's retention of the public trust area and the Rorippa habitat area in its natural condition.

CONSIDERATION: The public benefit; with the State reserving the right at any time to set a monetary rental if the Commission finds such action to be in the State's best interest.

BASIS FOR CONSIDERATION:

Pursuant to 2 Cal. Code Regs. 2003.

APPLICANT STATUS:

Applicant is an agency of the State of California.

PREREQUISITE CONDITIONS, FEES, AND EXPENSES:

Filing fee has been received. Applicant requests that the processing fee be waived.

CALENDAR ITEM NO C 10 CONT'D

STATUTORY AND OTHER REFERENCES:

- A. P.R.C.: Div. 6, Parts 1 and 2; Div. 13.
- B. Cal. Code Regs.: Title 2, Div. 3;
Title 14, Div. 6.

AB 884: 03/05/91.

OTHER RELEVANT INFORMATION:

1. At its meeting on August 3, 1987, Minute Item 2, the Commission authorized issuance to Applicant of General Permit - Public Agency Use PRC # 90, dated August 13, 1987, for two atmospheric sampling stations. This is an application to add two additional sampling stations. As the provisions and format of the permit do not conform to the Commission's present policies, rules, and regulations, termination of this permit is recommended.
2. The total annual rental value of the sites is estimated to be \$271.51.
3. Applicant utilizes the subject facilities to monitor the Lake Tahoe Basin ecosystem. The program considers the possibility that atmospheric nitrogen produced from San Francisco Bay Area auto exhaust and the use of chemical fertilizer in the California Central Valley nourishes and increases algae production in Lake Tahoe.

The buoy facilities collect the atmospheric contribution of nitrogen and quantify the wet precipitation falling on the lake's surface. Nitrogen is an essential nutrient in the life cycle of algae growth, which is rapidly increasing to the detriment of the life of the lake.

In that there is considerable potential for public benefit to be derived from the collection of data relating to the life of lake ecosystems, Applicant requests and staff recommends waiving the required processing fee.

CALENDAR PAGE	160
MINUTE PAGE	2530

4. Pursuant to the Commission's delegation of authority and the State CEQA Guidelines (14 Cal. Code Regs. 15061), the staff has determined that this activity is exempt from the requirements of the CEQA as a categorically exempt project. The project is exempt under Class 6, Information Collection, 2 Cal. Code Regs 2905(e)(5).

Authority: P.R.C. 21084, 14 Cal. Code Regs. 15300, and 2 Cal. Code Regs. 2905.

5. This activity involves lands identified as possessing significant environmental values pursuant to P.R.C. 6370, et seq. Based upon the staff's consultation with the persons nominating such lands and through the CEQA review process, it is the staff's opinion that the activity is consistent with its use classification.

APPROVALS OBTAINED:

Tahoe Regional Planning Agency, United States Army Corps of Engineers, United States Coast Guard, California Department of Fish and Game, Lahontan Regional Water Quality Control Board, and counties of El Dorado and Placer.

FURTHER APPROVALS REQUIRED:

None.

EXHIBITS:

- A. Land Description.
- B. Location Map.
- C. Local Government Comment.
- D. Local Government Comment.

IT IS RECOMMENDED THAT THE COMMISSION:

1. AUTHORIZE TERMINATION OF GENERAL PERMIT - PUBLIC AGENCY USE PRC 6190, DATED AUGUST 13, 1987, EFFECTIVE OCTOBER 1, 1990.
2. FIND THAT THE ACTIVITY IS EXEMPT FROM THE REQUIREMENTS OF THE CEQA PURSUANT TO 14 CAL. CODE REGS. 15061 AS A CATEGORICALLY EXEMPT PROJECT, CLASS 6, INFORMATION COLLECTION, 2 CAL. CODE REGS. 2905(e)(5).

CALENDAR ITEM NO. C 1 0 CONT'D

3. AUTHORIZE ISSUANCE TO THE REGENTS OF THE UNIVERSITY OF CALIFORNIA OF A FIVE-YEAR GENERAL PERMIT - PUBLIC AGENCY USE, FROM OCTOBER 1, 1990; IN CONSIDERATION OF THE PUBLIC BENEFIT, WITH THE STATE RESERVING THE RIGHT AT ANY TIME TO SET A MONETARY RENTAL IF THE COMMISSION FINDS SUCH ACTION TO BE IN THE STATE'S BEST INTEREST; FOR PLACEMENT, OPERATION, AND MAINTENANCE OF FOUR ATMOSPHERIC SAMPLING STATION BUOY FACILITIES ON THE LAND DESCRIBED ON EXHIBIT "A" ATTACHED AND BY REFERENCE MADE A PART HEREOF.
4. WAIVE THE PROCESSING FEE.

CALENDAR PAGE	162
RESOLVE PAGE	2532

EXHIBIT "A"

PRC 6190

LAND DESCRIPTION

Four Circular parcels of submerged land in the bed of Lake Tahoe, Placer and El Dorado Counties, California, said parcels being 20 feet in diameter and their centerpoints being located as follows

- PARCEL-1.** 39° 08' 17" North Latitude, 120° 04' 50" West Longitude;
- PARCEL-2.** 39° 08' 15" North Latitude, 120° 00' 25" West Longitude;
- PARCEL-3.** 39° 07' 52" North Latitude, 120° 08' 34" West Longitude;
- PARCEL-4.** 38° 57' 45" North Latitude, 119° 58' 00" West Longitude;

END OF DESCRIPTION

PREPARED APRIL 30, 1989 BY SAS.

CALENDAR PAGE	103
MINUTE PAGE	2533

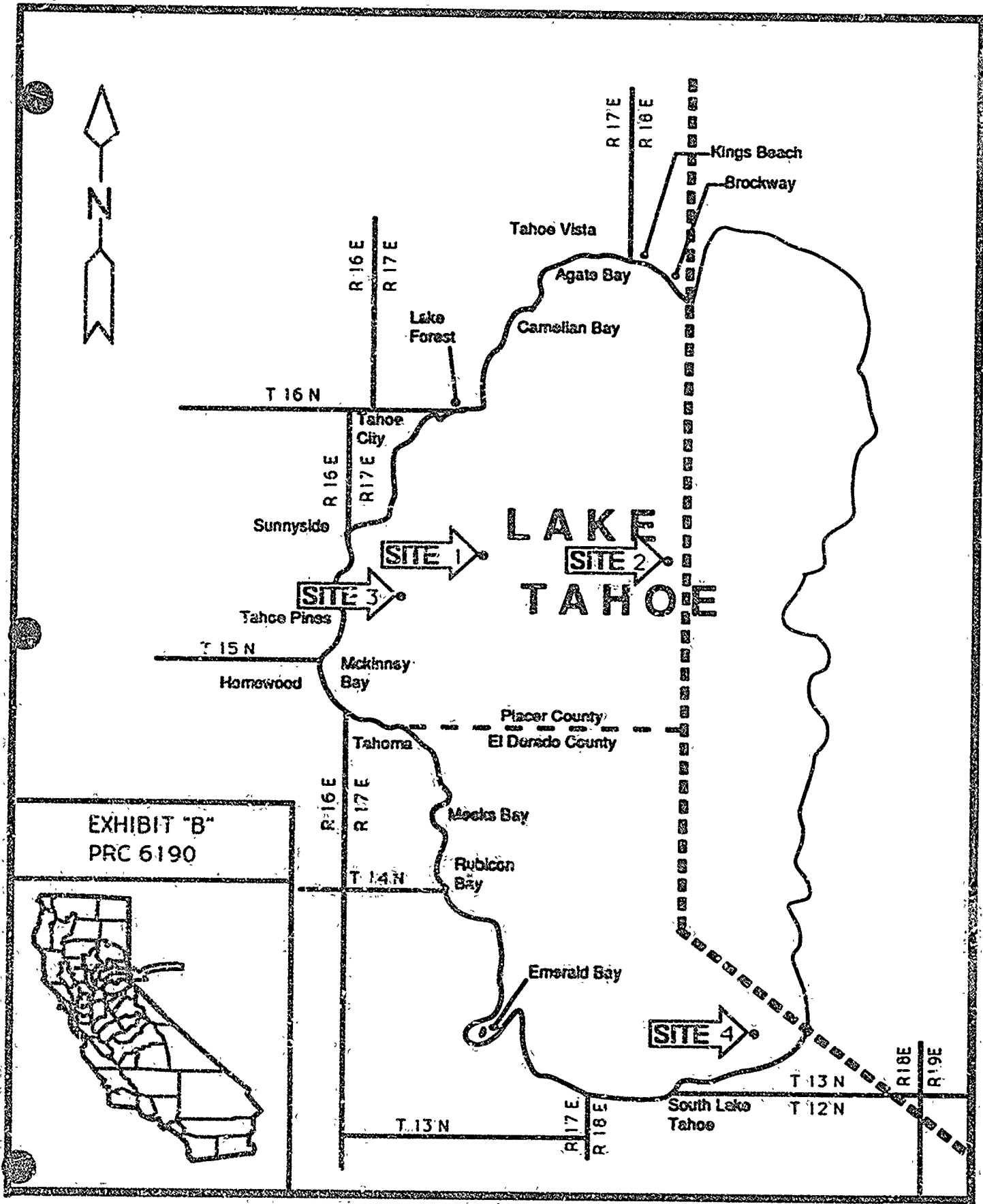


EXHIBIT "B"
PRC 6190



CALENDAR PAGE 164
MINUTE PAGE 2534

EXHIBIT C

Date: 8-31-90

File Ref: FRC 6190.9

State Lands Commission
Attn: Gerald D. Gordon
1807 - 13th Street
Sacramento, California 95814

Greetings:

Subject: One Existing Buoy Facility Utilized as an Atmospheric Sampling Station in Lake Tahoe.

Name: University of California, Davis
Attn: Kim M. Sean.

Address: Office of the Vice Chancellor
Administration
Business and Finance Department.
Davis, California 95616

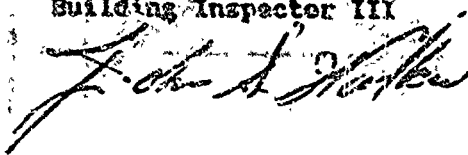
Location (Lat. & Long.)
Buoy Site: 38°57'45"N 119°58'00"W

The County of El Dorado has received notice of the above-referenced activity in Lake Tahoe and has no objection to said facility or to the issuance of a permit, or lease by the State Lands Commission for such use of sovereign lands.

If you have any questions, you may reach me at (916) 573-3145.

El Dorado County
Community Development Department

JOHN S. WALKER
Building Inspector III



CALENDAR PAGE	105
MINUTE PAGE	2535

LAKE TAHOE BUOY LOCATIONS 1989-90

FIGURE 1

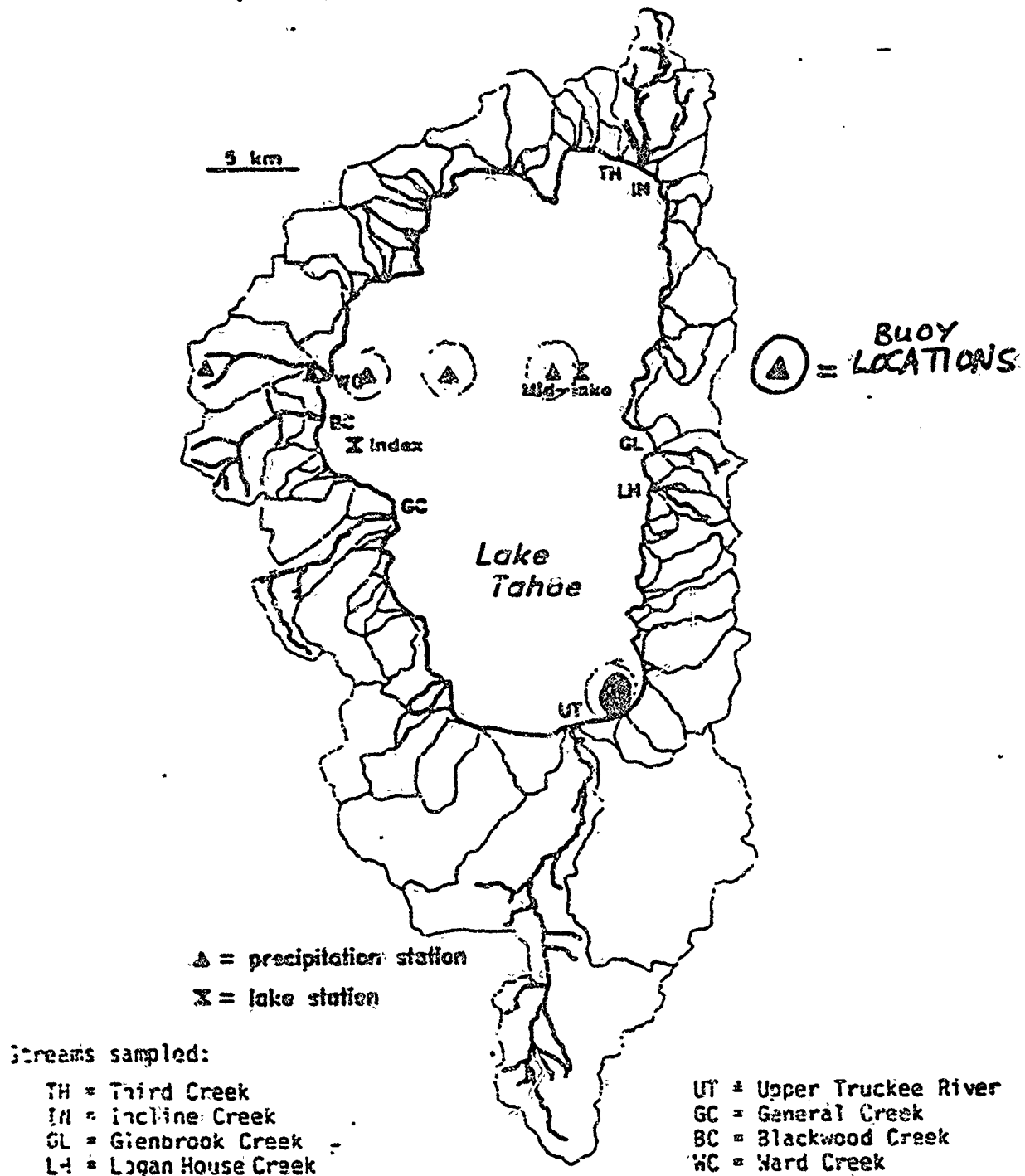


Figure 1. Sampling stations of the Lake Tahoe Interagency Monitoring Program, water year 1989.

CALENDAR PAGE	166
MINUTE PAGE	2538

Figure 2.

LAKE TAHOE ATMOSPHERIC DRY DEPOSITION SAMPLING SPAR BUOY

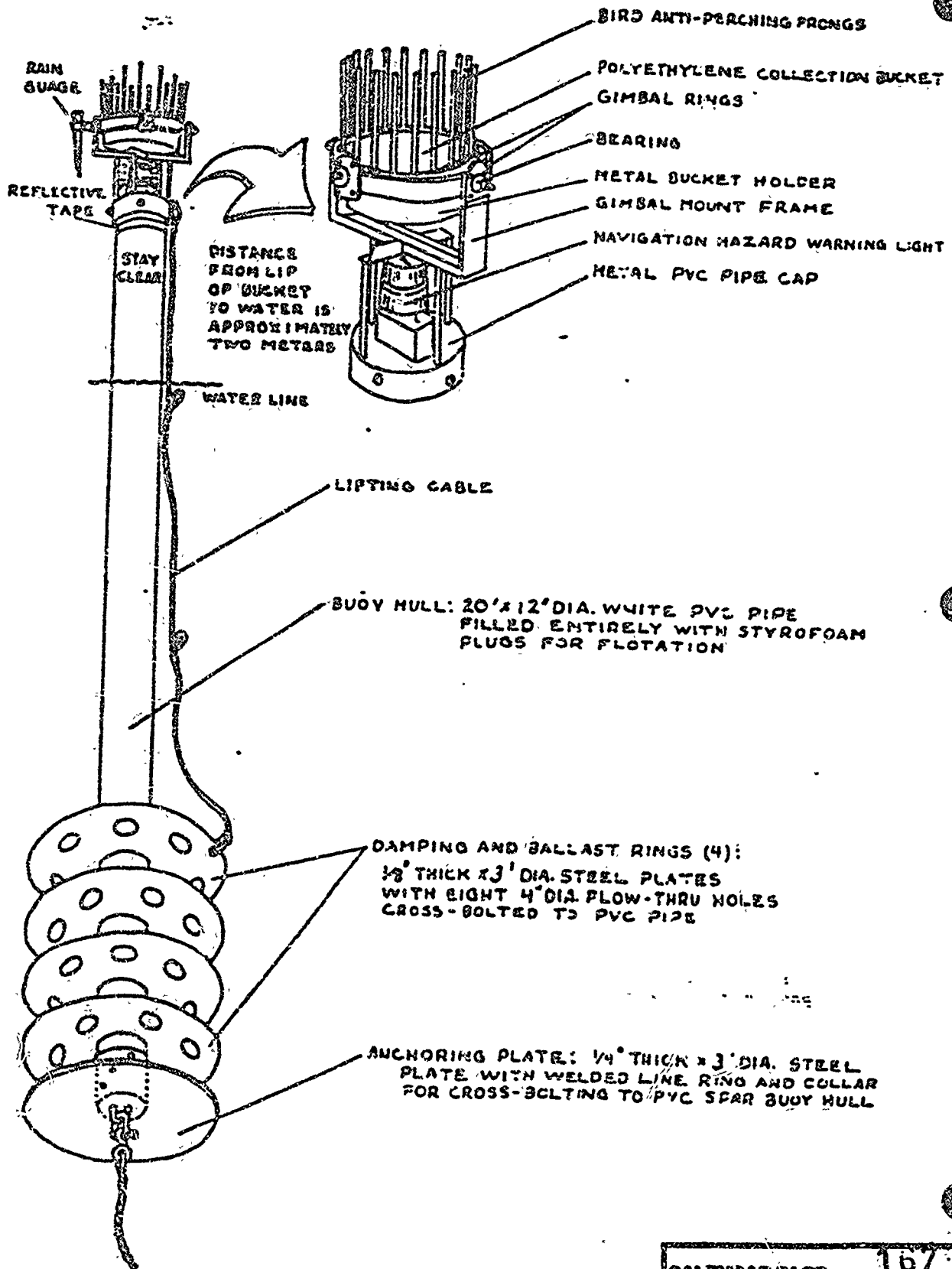
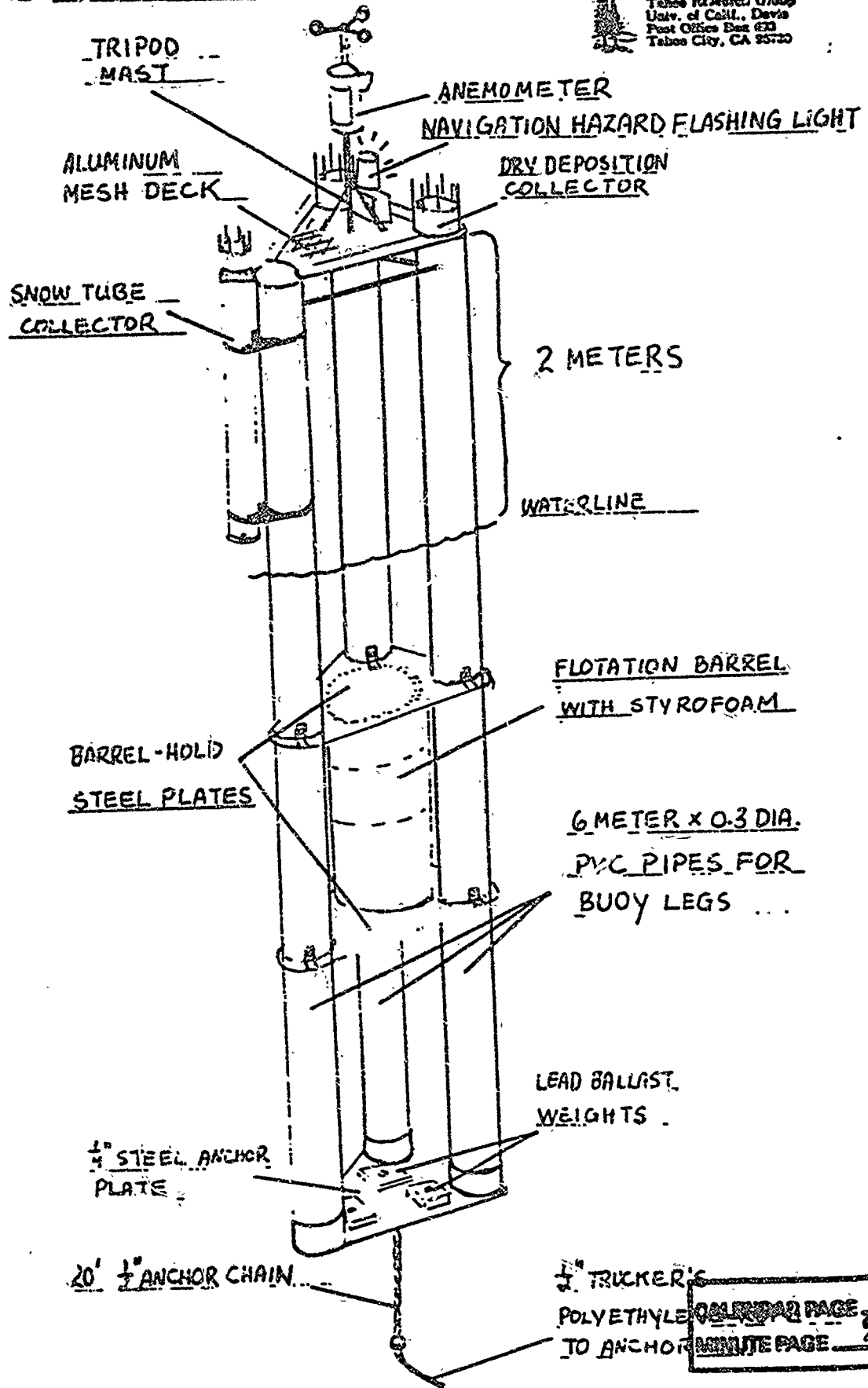


FIGURE 3 LAKE TAHOE MID-LAKE ATMOSPHERIC DEPOSITION & METEOROLOGICAL DATA COLLECTION BUOY

SCALE: 1 INCH = 1 METER

Tahoe Research Group
 Univ. of Calif., Davis
 Post Office Box 632
 Tahoe City, CA 95720



168
2538

EXHIBIT D

RECEIVED
APR 30 1990

PLACER COUNTY
DEPT. OF PUBLIC WORKS

Date: _____

File Ref: PRC 6190.9

State Lands Commission
Attn: Gerald D. Gordon
1807 - 13th Street
Sacramento, California 95814

Greetings:

Subject: Three Existing Buoy Facilities Utilized as Atmospheric Sampling Stations in Lake Tahoe

Name: University of California, Davis
Attn: Kim M. Bean

Address: Office of the Vice Chancellor
Administration
Business and Finance Department
Davis, California 95616

Location (Lat. & Long.)
Buoy Sites: 39°08'15"N 120°00'25"W
39°08'17"W 120°04'50"W
39°07'52"N 120°08'34"W

The County of Placer has received notice of the above-referenced activity in Lake Tahoe and has no objection to said facilities or to the issuance of a permit or lease by the State Lands Commission for such use of sovereign lands.

If you have any questions, you may reach me at (916) 823-4670.

County of Placer
Department of Public Works
Jack Warren, Director

Jan Christian for
ERICK R. ERICKSON
Associate Civil Engineer

CALENDAR PAGE 169
MINUTE PAGE 2539

LAKE TAHOE BUOY LOCATIONS 1989-90.

FIGURE 1

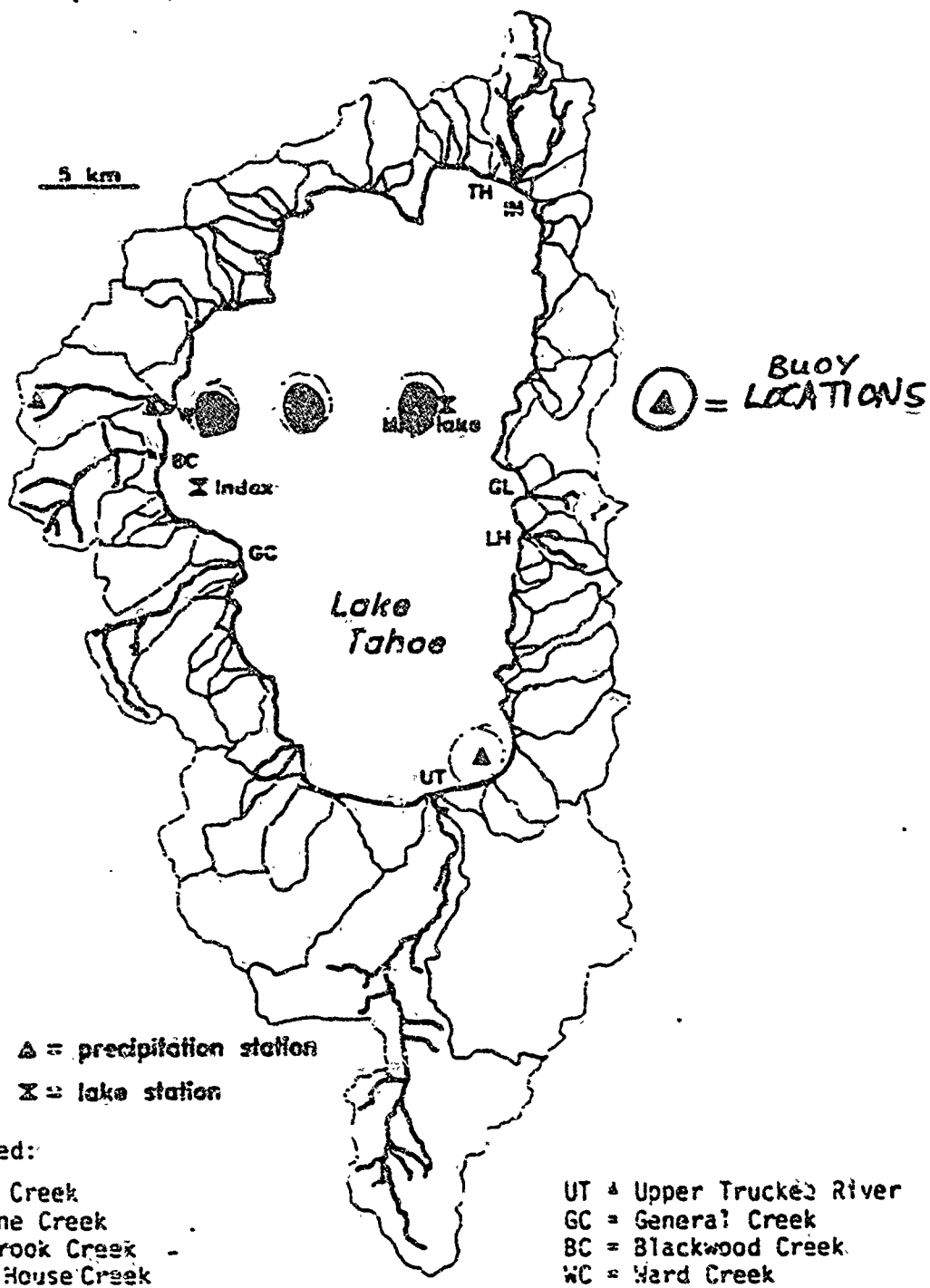


Figure 1. Sampling stations of the Lake Tahoe Interagency Monitoring Program, water year 1988.

LAKE TAHOE
 ATMOSPHERIC DRY DEPOSITION SAMPLING SPAR BUOY

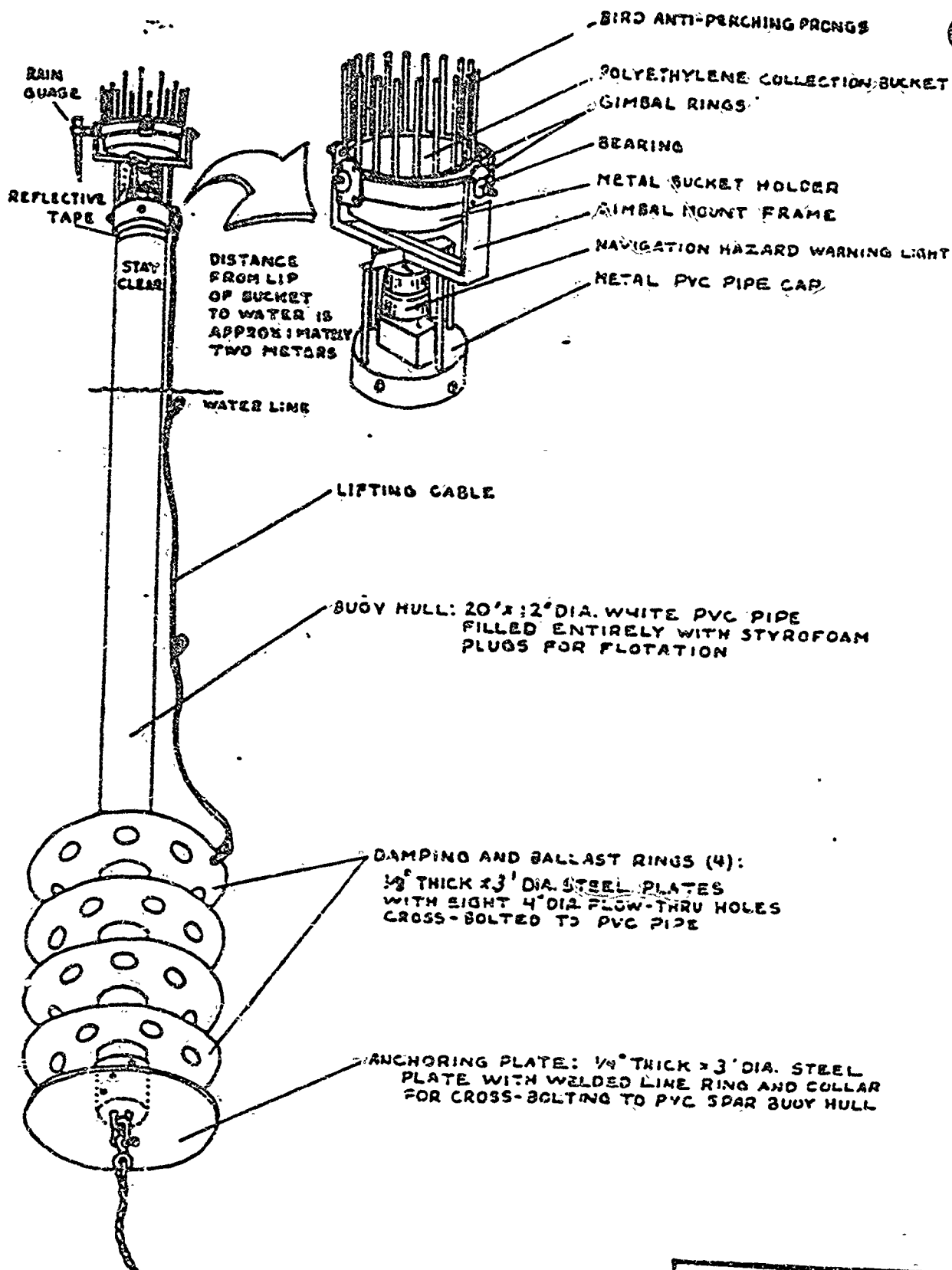
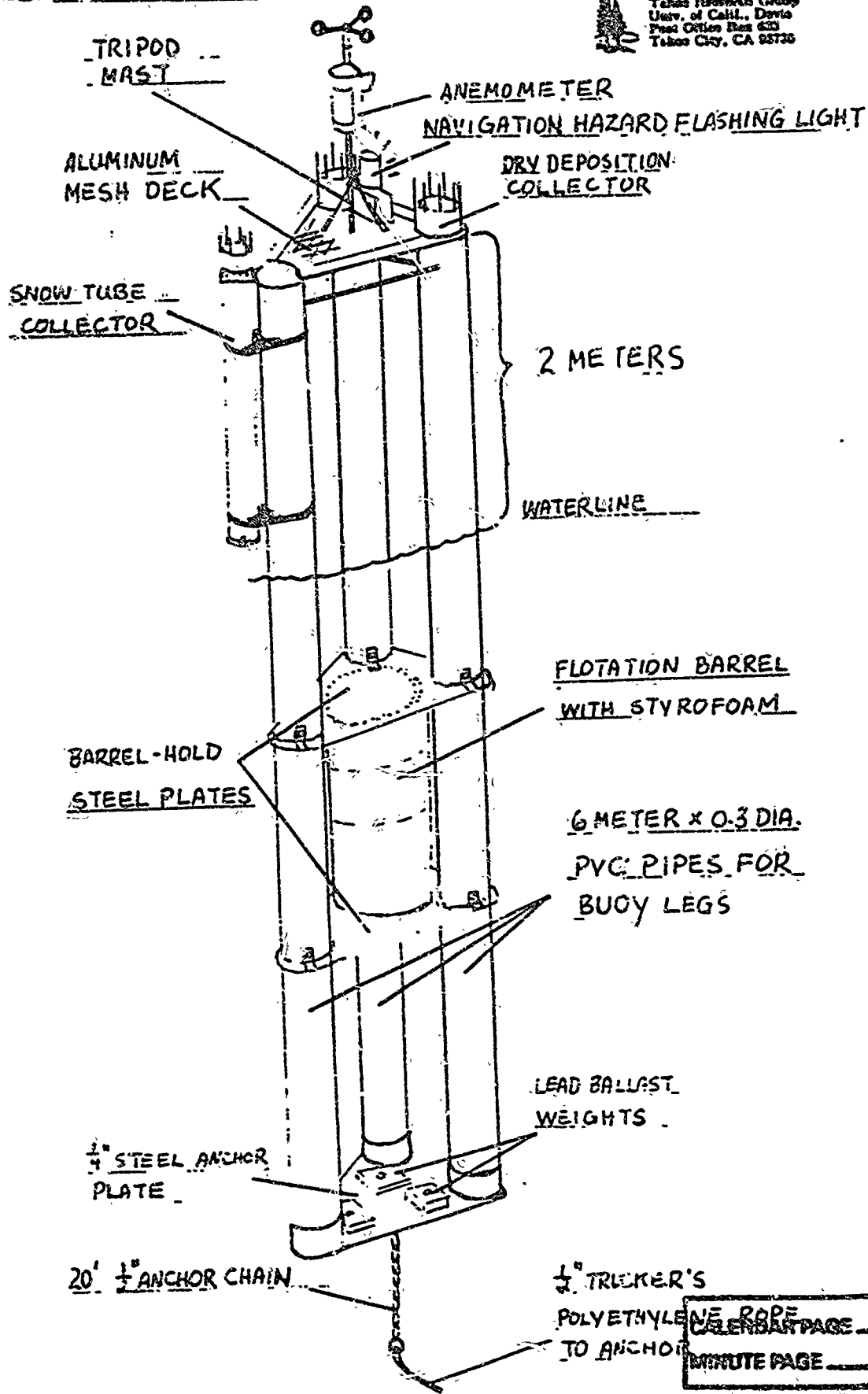


FIGURE 3 LAKE TAHOE MID-LAKE ATMOSPHERIC DEPOSITION & METEOROLOGICAL DATA COLLECTION BUOY

SCALE: 1 INCH = 1 METER

Tahoe Research Group
Univ. of Calif., Davis
Post Office Box 623
Tahoe City, CA 95726



CALENDAR PAGE	172
MINUTE PAGE	2542